

ISUZU
RELIABILITY IS EVERYTHING

isuzu.com.au

Isuzu Australia Limited ABN 97 006 962 572 ("IAL"). The information in this brochure was correct at time of printing, but all measurements, specifications and equipment are subject to change without notice. Bodies and equipment featured in this brochure may have changed, may not be genuine accessories and are available at an additional cost. IAL may make changes at any time without notice, in prices, colours, materials, equipment and models. IAL makes all reasonable attempts to ensure the availability of all vehicles and equipment. The information in this brochure is general in nature. Your Isuzu Truck Dealer can confirm all measurements, specifications and vehicle/equipment availability upon request. Any body illustrated is not necessarily standard equipment. SEP2023 FSA/ISZS1757
Printed on environmentally responsible and carbon neutral paper.



FY SERIES
GVM: 30,000 - 35,000kg
GCM: 45,000kg

ISUZU
RELIABILITY IS EVERYTHING

SERIES





Concrete Mixer body shown is not supplied by Isuzu and can be arranged through your Isuzu Truck Dealer at extra cost.

WE SHARE THE LOAD

So does the twin axle.

Isuzu has been the leading truck brand in Australia for over 34 years straight*. A dominant position earned by offering you safety, performance, driveability, comfort, operating costs, productivity and, above all, our legendary reliability. The FY Series, what's more, gives you a big extra: another steer axle. It comes in 8x4 and 10x4 configurations, with a choice of models and variants. You also have choices of transmissions, wheelbases, axles and suspensions. And, depending on the type of body you have fitted, the FY Series is just as efficient at craning bricks as crushing garbage. All of which will help make your daily grind much less of a grind, whatever your application.

*According to T-Mark industry statistics.

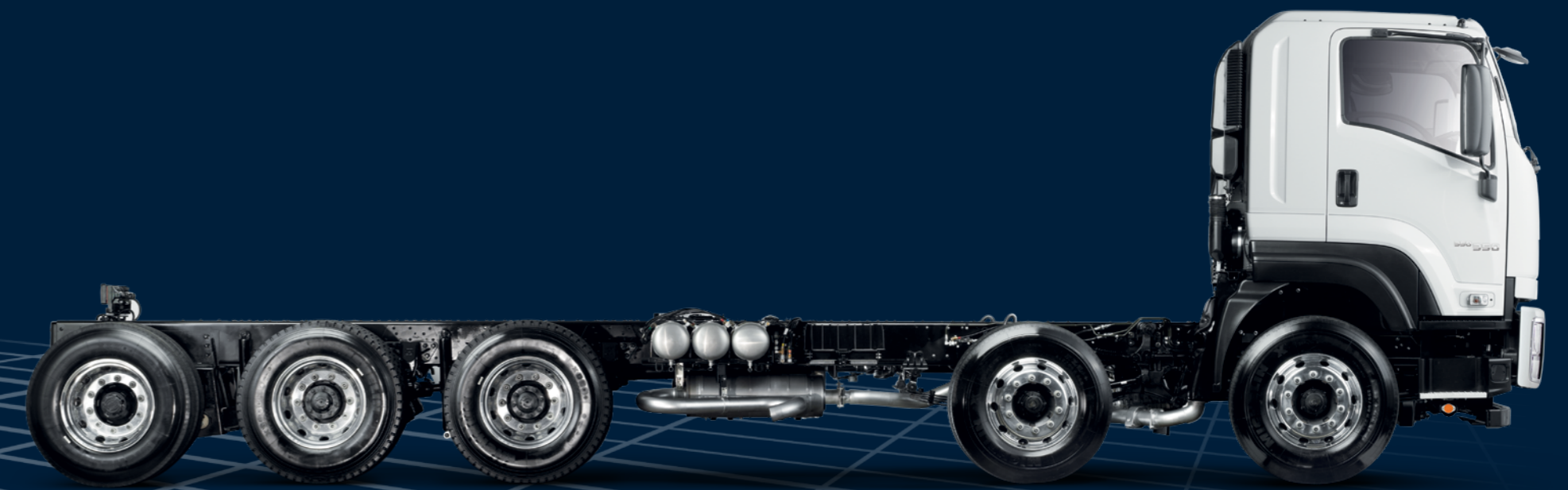
FY Series.



8x4. 257kW (350PS)

There are two 8x4s, the FYJ 300-350 and FYH 300-350, in a variety of specifications. As you'd expect from Isuzu, they're superbly engineered, equipped for instance with an Allison 4430 in the auto models, where a 3200 is the industry norm. We never skimp.

- Isuzu 6UZ1 direct injection diesel engine.
- ZF 9-speed Manual or Allison 4430 6-speed Auto.
- Allison 4430 auto.
- From short to extra long wheelbases.
- Hendrickson airbag or Isuzu 6-rod suspensions.
- Meritor front and rear axles.
- Specifically optimised driveline and gear ratios for maximum startability and gradeability with heavy loads and off highway operation.
- First-class cabs come standard with three seats.
- LED head lamps.
- ISRI 6860/875 air-suspension driver's seat.
- Auto Climate Control air conditioning.
- All-New 10.1 inch touch screen MyIsuzu Co-Pilot Multimedia system, with digital and Internet radio.
- Fast USB charger.
- Apple CarPlay and Android Auto.



10x4. 257kW (350PS)

The FYX 350-350 offers more tyre on the ground when you need it. The inclusion of a "lift up" lazy axle combines superior load carrying capacity with smart efficiency when empty. Saving you fuel and tyres along the way.

- Isuzu 6UZ1 direct injection diesel engine.
- Allison 4430 auto transmission.
- Hendrickson HAS airbag / HLM lift up airbag suspension.
- Meritor front and drive axles, plus Hendrickson rear lift axle.
- Specifically optimised driveline and gear ratios for maximum startability and gradeability with heavy loads and off highway operation.
- First-class cabs come standard with three seats.
- ISRI 6860/875 air-suspension driver's seat.
- Auto Climate Control air conditioning.
- LED head lamps.
- All-New 10.1 inch touch screen MyIsuzu Co-Pilot Multimedia system, with digital and Internet radio.
- Fast USB charger.
- Apple CarPlay and Android Auto.

Bricks, skips or milk. FY hauls it all.

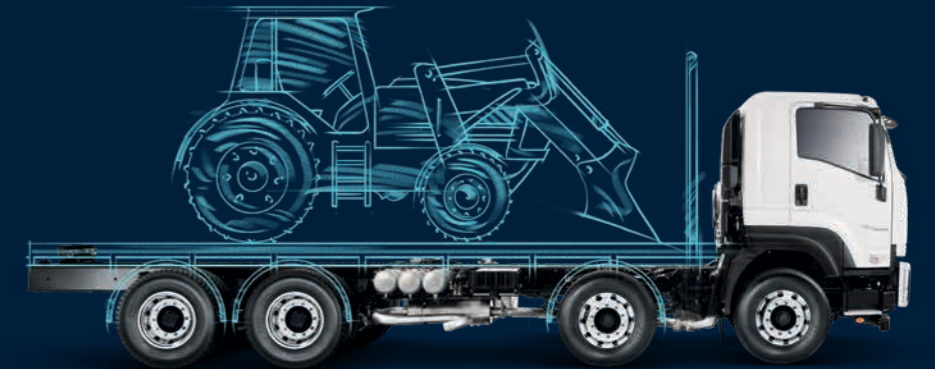
Few other trucks can comfortably fill so many roles. Tilt, lift, skip, tip, mix, chill, pump, crush and more, as you see here. The FY Series wears many, many hats.



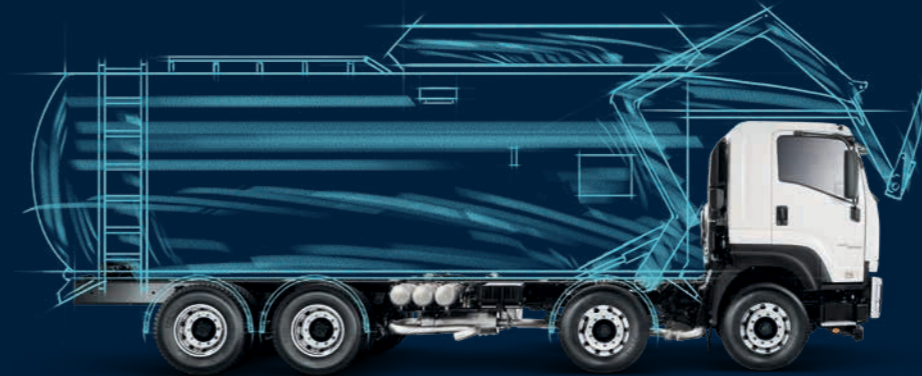
TANKER



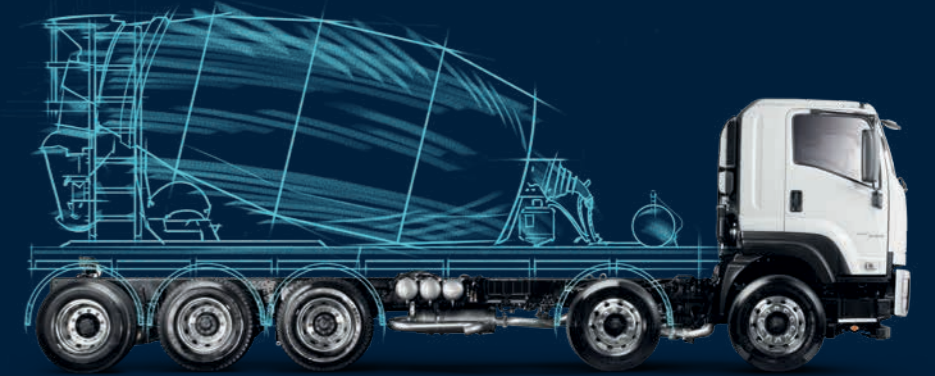
CRANE



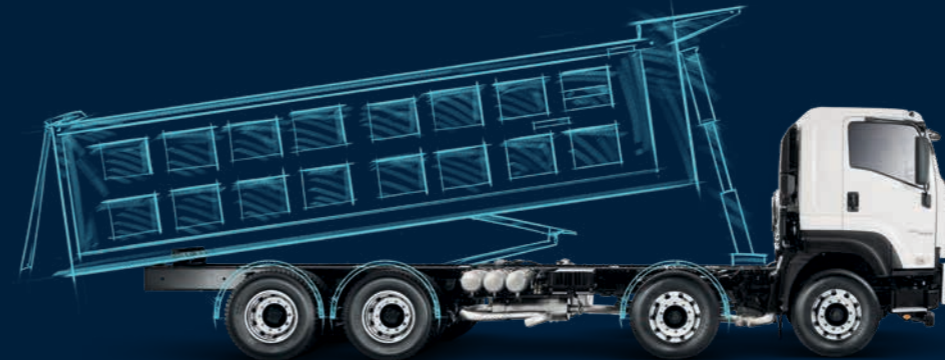
GENERAL USE TRAY



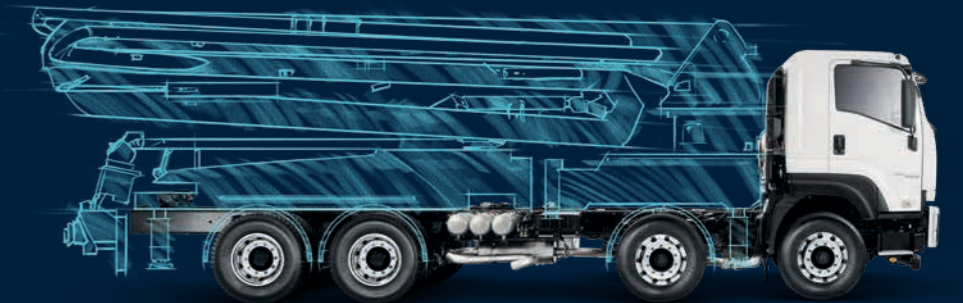
WASTE COLLECTION



AGITATOR



TIPPER



PUMPER

A cabin made for comfort.

Whether you're spending all day behind the wheel or driving to a worksite, a little comfort is always welcome. Well, that's what you'll experience every time you climb into an Isuzu cabin. A lot of thought has gone into creating a space that's easy to navigate and easy on the body.



Wireless Phone Charging Pocket

MyIsuzu Co-Pilot 10.1 inch touch screen multimedia

Cruise control

ISRI fully adjustable air suspended seat

Fully adjustable steering wheel

Collapsible centre seat with work tray

Dual cup holder

Fast 2.4W USB charger

Climate control

Heated mirrors

CARRY LOADS IN THE CAB.

Cabs are anything but afterthoughts with Isuzu. For instance, you'll find stacks of storage space and locations for all your stuff. Along with heaps of room for you and your workmates as well, including generous stretch-out legroom. All in all, it's a very comfy and accommodating place to be.

THE BEST SEAT IN THE BUSINESS.

All FY Series have the ISRI 6860/875 air suspension driver's seat as standard. And it's anything but standard. It incorporates an integrated lap-sash seatbelt, dual-stage air lumbar/lateral support, multi adjustable seat swab, adjustable shock-absorber and even adjustable shoulder position all wrapped in a body-hugging upholstery from head to knee.



YOUR DESIGNATED PORT.

Every man and his dog has a smartphone these days. And if you spend a lot of time on the road, you'll appreciate having a fast, 5V USB charger righter there with you, while you drive. Plus, keep your phone in its designated storage pocket and connect to Apple CarPlay or Android Auto.



SIMPLE CHARGING.

Gone are the days of having to buy another phone charger while you're on the road. Just place your smartphone in its phone pocket with a wireless charging pad inside, and you're good to go.

MAKE YOUR WAY WITH MYISUZU CO-PILOT.

MyIsuzu Co-Pilot is a seamlessly integrated system that features a tailored truck specific navigation experience with a user-friendly interface.

In addition to truck-specific routing (which accounts for the dimensions of the truck being driven), the system will provide the end-user with over-the-air 'smart' capabilities such as live traffic information and live map updates* (provided the unit is connected to WiFi or a phone hotspot).

It also comes with an intuitive custom navigation experience featuring speed camera alerts, maximum speed, hazmat specifications, and more. MyIsuzu Co-Pilot - designed to help you work smarter, not harder.

*3 year subscription

MULTIMEDIA.

The MyIsuzu Co-Pilot multimedia system features a 10.1 inch touch screen, Apple CarPlay, Android Auto, and DAB+ stations. Hands-free Bluetooth and truck specific navigation are standard.



WATCH YOUR BACK.

Reversing cameras are a luxury in many trucks, but not so with an Isuzu FY Series. It comes standard with a seriously clever rear camera. It doesn't just make reversing safer, you can use it to check your trailer when you're driving forward too.

Agitator.

Our Isuzu FYJ was born for agitator duties. It has a specialised cab chassis, twin-steer axles, load-sharing front suspension and high-torque engine. Custom chassis dimensions and wheel layout have been designed for heavy duty agitator bodies. Most of our other cab chassis can also work with an agitator body.



OUTRIGGER BODY MOUNTS.

The FYJ 300-350 AUTO Agitator comes with unique Isuzu-designed and fitted outrigger style body mounts, which help to increase chassis integrity, durability and you can be assured of a reliable body mounting.



CONTROL WITH EASE.

Unique to Isuzu, the central console features a digital switching system, which makes controlling the Agitator easier than ever before. Covering features like automatic beacon light, "Kerb and channel" mode, power divider and cross lock protection to name a few. Which is all covered under the factory warranty.

AGITATION, MAXIMISED.

Programmed specifically for Agitator use, the transmission calibration is designed for maximum drive performance and braking. This means you can be rest assured that the Allison 6-Speed Automatic Transmission is tailored for efficiency and safety.

ELECTRONIC STABILITY CONTROL (ESC).

Being the only FY model with ESC, this allows the Agitator to monitor driver input and vehicle control. If it detects understeer, oversteer or roll-over, it overrides driver input, reduces power and/or brakes individual wheels braking to maintain vehicle control.



TREAD WITH CONFIDENCE.

We're using Dunlop SP 160s on steer tyres, and SP 431A on drive tyres to provide maximum grip on worksites. With differing but complementary tread patterns, these workhorse tyres are super lightweight, so you can maximise payload every time.

Specifications.

If you have some seriously big jobs to get done, our FY Series comes with a big extra: another steer axle. Available in 8x4 and 10x4 configurations, with a choice of transmissions, wheelbases, axles and suspensions, the FY Series can be configured to suit your specific needs. All with Isuzu's legendary reliability.

FY Specs

MODEL	DESIGNATION	GVM (kg)	GCM (kg)	ENGINE	POWER (kW@RPM)	TORQUE (Nm@RPM)	TRANSMISSION (GEARS/TYPE)	REAR AXLE	REAR SUSPENSION
FYH 300-350	AUTO MWB	30,000	45,000	6UZ1-TCN	257@2,000	1,422@1,400	6-speed automatic	Meritor RT40-145	Isuzu 6-Rod leaf
	AUTO LWB								
FYJ 300-350	LWB	30,000	45,000	6UZ1-TCN	257@2,000	1,422@1,400	9-speed manual	Meritor RT40-145	Hendrickson HAS461 Air
	XLWB								
	AUTO MWB						6-speed automatic		
	AUTO LWB								
AUTO XLWB									
FYJ 300-350 AGITATOR	AUTO SWB	30,000	45,000	6UZ1-TCN	257@2,000	1,422@1,400	6-speed automatic	Meritor RT40-145	Hendrickson HAS461 Air
FYX 350-350	AUTO	35,000	42,500	6UZ1-TCN	257@2,000	1,422@1,400	6-speed automatic	Meritor RT-40-145GP	Hendrickson HAS461+HLM Air

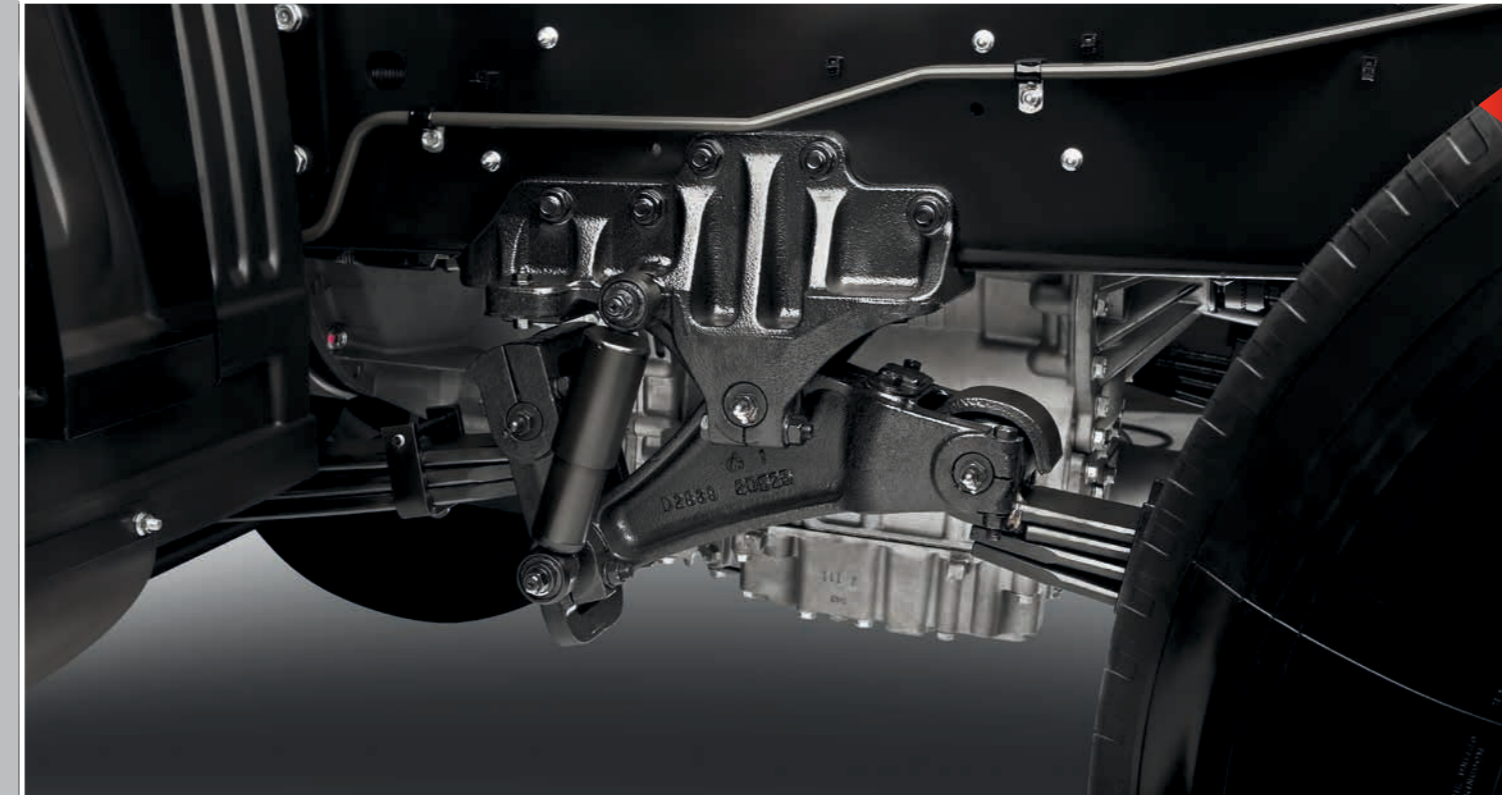
FY Warranties

MODEL	VEHICLE	ROADSIDE ASSIST
FYH, FYJ and FYX	6 years or 600,000 kilometres or 10,000 hours*	6 years

*6 year warranty excludes Concrete Agitator and Garbage Compactor models which are covered by a 3 year warranty, 3 year roadside assist and 300,000 km.

The apex of axles.

Meritor steer and drive axles are the benchmark for heavy trucks. Fitted to all FY Series models, Meritor offers high capacity and driver-controlled cross locks to keep you from getting stuck.



WEIGHT ADVANTAGE.

Isuzu's load-sharing front suspension increases your total gross mass by one tonne. It spreads the weight evenly across both steer axles to make your load more manageable. A unique dampener system means better ride and handling and less stress on your chassis.

The talented twins.

The load-sharing twin-steer front axle on the FY Series handles all heavy-duty jobs, from tipping to tilting. The suspension also features a unique dampener system for ride and handling.



TYRES YOU CAN TRUST.

We use Michelin X Multi Z2 Steer Tyres and X Multi D drive pattern tyres on all models of FY (except Agitator), so you can drive safely every day, in every condition. Featuring a self-regenerating tread design for better vehicle control, reinforced tread plies to help reduce risk of sudden pressure loss, and strengthened bead endurance to handle long-distance, high-speed drives.



LEAVE SHIFTING BEHIND.

Forget about shift work with the Allison 6-speed Automatic Transmission on many of our FY Series trucks. Just switch it on to eliminate shifting and help reduce fatigue. Once you try it, you won't know how you went without it.

SELECT YOUR GEAR.

The FY offers you two tried-and-tested transmissions. The trusty German ZF 9-speed and the mighty Allison HD 4430 6-speed auto from America. What a choice it is.

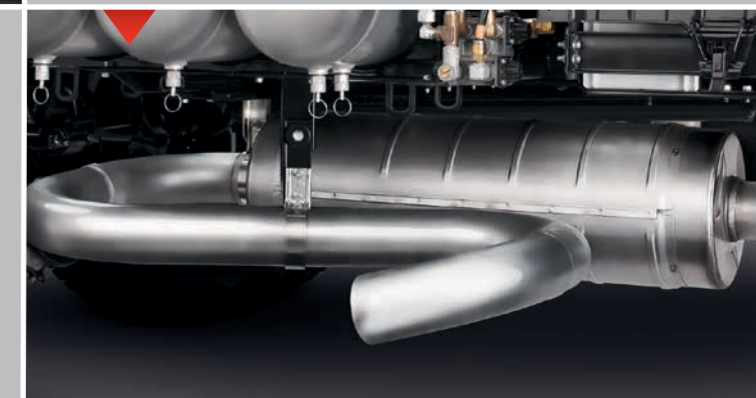


EURO V COMPATIBLE.

To meet tough Euro V environmental standards we have fitted a Diesel Oxidation Catalyst (DOC) and an Exhaust Gas Recirculation system (EGR). The DOC offers greater simplicity for body builders and operators, while the EGR not only reduces harmful emissions, but also delivers improved driveability and enhanced engine braking. Most of all, no particulate filter or the need for AdBlue, so all you need to do is fill it with diesel and drive.

BRIGHT AND LIGHT.

Isuzu has an 8x4 and 10x4 model that comes standard with aluminium disc wheels. Combined with aluminium fuel tanks and other weight-saving measures, our 8x4 'Agitator spec' comes in at a very respectable tare mass.



Bright new thinking.

Night driving can be taxing on the eyes, not to mention dangerous, so your truck's headlights have to be much more than an afterthought. That's why our FY series now come equipped with advanced LED lights for low beams, and halogen lights for high beams, providing a superior forward-view. Plus, they're easier on the eyes, too, allowing your truck to be easily seen.



STEER AROUND HAZARDS.

All FY models come standard with ABS brakes, so you can steer as you brake, along with many other safety features.

A VERY SAFE HAVEN.

All FY Series cabs are world class with double side-intrusion bars, seatbelt pretensioners and load limiters, along with driver airbags and reverse camera are all standard. Along with traction control and a whole alphabet of other safety systems. In an Isuzu, you will always work safe.

TWENTY-TWENTY HINDSIGHT.

Your twin rear-view mirrors are big, heated and powered, with integrated spotters. It's a case of 'Objects in mirror are clearer than you think'.



GREATER LOADS IN GREATER SAFETY.

All FY models are compliant with both European safety standards ECE-R93. Meaning European cab strength and Front Underrun Protection for your piece of mind.

Isuzu Care.

Isuzu Care is the most comprehensive customer care programme ever seen in the Australian truck market. It offers truck buyers and owners a suite of innovative support services and a level of customer care that is setting new industry standards.



ISUZU CARE TEAM.

Why would you trust your Isuzu to anyone but an Isuzu-trained technician? With meticulous training tailored specifically to Isuzu trucks, our team carries out servicing and repairs to manufacturer-documented standards (and that means the highest level possible!).

DEALER NETWORK.

Isuzu has an extensive network of dealers around Australia. So no matter where you are, you'll never be too far from a dealer if you need support.

Warranties.

When we say reliability is everything, it's more than just talk. That's why we're now backing all our FY Series models with an industry-leading warranty support package. This includes, for the first time ever, a 6 year* warranty on the cab chassis.

*Excluding models operating under harsh conditions, which receive a 3-year warranty with no hours stipulation.

6 YR

FACTORY WARRANTY

24/7 ROADSIDE ASSIST



6 YEAR FACTORY WARRANTY.

When you build trucks as reliable as our FY series, you're only too happy to stand by them. That's why all of our FY trucks come with a Factory Warranty that covers you for 6 years*, 600,000 kilometres or 10,000 engine hours, whichever comes first. This standard warranty is the most comprehensive we have ever offered in Australia. And if the unexpected should happen and you run into trouble out on the job somewhere, you'll also have the peace-of-mind of 6 years of Roadside Assist.

*Excluding models operating under harsh conditions, which are covered by a 3 year warranty with no hours stipulation.

6 YEAR 24/7 ROADSIDE ASSIST.

Isuzu Assist is 6 year*, 24-hour roadside assistance program that comes at no extra cost with all new Isuzu Trucks. And while our trucks are renowned for their reliability, even if you run out of fuel, lose your keys, get a flat tyre (or battery), Isuzu Assist will be there to sort it out. Just Freecall 1800 947 898.

*Excluding models operating under harsh conditions, which are covered by a 3 year Roadside Assist Program.

Agree to less servicing stress.

Few things cause as much pain to a business as a big, unexpected bill. And while Isuzu can't help with all of your outgoings, our service agreements will flatten your truck servicing costs into a single, predictable, monthly payment (or upfront fee in the case of Isuzu Essentials).



INCREASED RE-SALE VALUE, DECREASED RISK.

Looking after your truck pays bigger dividends than just better performance. Proper maintenance lowers the total cost of ownership, reduces downtime, and improves the revenue of every load. When the time comes to upgrade, a comprehensive service history means you'll get top dollar.

You can also rest easy knowing that with a service agreement you'll be running a well-maintained fleet, which means safer trucks for your drivers. However, it's not just about protecting people... although obviously that reason is enough. With the new Chain of Responsibility laws, proper servicing also protects your business.

Isuzu Essentials.

Available on new trucks only and paid upfront, Isuzu Essentials covers your truck's first three regular services up to either your 36 month or 45,000 or 60,000km service (whichever comes first. Distance depends on truck model).

- Genuine Filters & Lubricants*
- Check and Report Fault Codes
- Wheel Bearing Re-pack (F Series only)
- Lubricating All Joints
- Washer Fluids
- Labour
- Valve Adjustments
- Consumables
- Environmental

*Does not include air filters.

Isuzu Essentials Plus.

Essentials Plus is available on new trucks and trucks currently in use, up to 36 months old. This plan also covers consumables such as wiper blades, light globes, fuses and fan belts.

- Genuine Filters & Lubricants
- Check and Report Fault Codes
- Wheel Bearing Re-pack
- Lubricating All Joints
- Globes – Stop, Tail, Number Plate, Indicator, Headlight, Interior
- Wiper Blades
- Relays & Fuses
- Fan Belts & Coolant Hoses
- Washer Fluids
- Labour
- Valve Adjustments
- Consumables
- Environmental

Isuzu Total.

Our most comprehensive new truck service agreement. It covers everything included in Essentials Plus, as well as engine, transmission, driveline, brakes, suspension, and electrical componentry.

- Genuine Filters & Lubricants
- Check and Report Fault Codes
- Wheel Bearing Re-pack
- Lubricating All Joints
- Globes – Stop, Tail, Number Plate, Indicator, Headlight, Interior
- Wiper Blades
- Relays & Fuses
- Fan Belts & Coolant Hoses
- Washer Fluids
- Engine Components
- Transmission Components
- Brake Components
- Suspension Components
- Electrical Components
- Labour
- Valve Adjustments
- Consumables
- Environmental

AVAILABLE EXTENDED OPTIONS.

For Isuzu Essentials Plus and Isuzu Total.

- Extended Care
- Extended Assist
- After-Hours Servicing
- Glass Coverage
- Fuel Card
- Pick Up & Drop Off

Isuzu parts overview.

While we pay a lot of attention to our trucks, we can't forget about everything that keeps them going in the first place: our Genuine Parts and industry leading support and warranty programs. At the end of the day, this is why Isuzu remains Australia's truck market leader.

parts.isuzu.com.au

GENUINE PARTS.

Isuzu's commitment is to provide the highest quality Genuine Parts, backed by industry-leading support and warranty for reduced downtime, to provide operators more time focusing on the important tasks at hand.

Australia's truck market leader provides peace of mind that money just can't buy and when fitted by an authorised Isuzu technician, can help to extend the working life of your truck.

Insist on Genuine Isuzu Parts and you'll be insisting on value for money, safety and long lasting performance. In the Transport Industry - Reliability is everything.

Make it your own.

Genuine Isuzu accessories are designed to improve your experience of owning and driving an Isuzu by enhancing your truck's practicality and style. And you can rest easy knowing that all Isuzu accessories are designed and manufactured to meet Isuzu's rigorous engineering standards. So personalise your pride and joy.



BULLBAR.



WEATHER SHIELDS.



RUBBER FLOOR MAT.



TYRE PRESSURE MONITORING SYSTEM.



SEAT COVER.