

ISUZU

SPECIFICATIONS

FRR 110-260 / FRR 110-260 CREW

FRD 110-260

Now with
Sat Nav fitted
as standard*



FRR 110-260 Crew



FRR 110-260

* Satellite Navigation functions and maps provided at no extra cost, with up to four quarterly updates provided by user free download for the first three years of ownership, after which updates can be purchased at additional cost.

AUSTRALIA'S TOP SELLING TRUCK BRAND SINCE 1989.

AT A GLANCE*

GVM	11,000 kg
GCM	16,000 kg
Power	191 kW @ 2,400 rpm
Torque	761 Nm @ 1,450 - 2,400 rpm

* Refer to back page for detailed weight rating information

ADVANCED TECHNOLOGY

Emissions: Euro V / ADR 80/03	Hill Start Aid (HSA) - except auto model
Driver and passenger airbag with seatbelt pretensioner	Electric mirrors
ADR42 compliant sleeper - except crew	Front stabiliser bar
ECE-R29 compliant cab	Cruise control
Anti-lock Braking System (ABS)	ISRI 6860 driver seat with integrated seatbelt
Anti Skid Regulator (ASR) - except auto and crew models	Cornering lamps



We
share
the
load.

ISUZU

RELIABILITY IS EVERYTHING

DRIVELINE AND CHASSIS SPECIFICATIONS

ENGINE: ISUZU 6HK1-TCC

- Type:** 6 cylinder 24 valve SOHC
Displacement: 7,790 cc
Compression Ratio: 17.5:1
Bore x Stroke: 115 mm x 125 mm
Max power (DIN-NET): 191 kW (256 HP) @ 2,400 RPM
(JIS Gross): 198 kW (265HP) @ 2,400 RPM
Max torque (DIN-NET): 761 Nm (561 lb.ft) @ 1,450 - 2,400 RPM
(JIS Gross): 788 Nm (581 lb.ft) @ 1,450 - 2,400 RPM
Induction system: Electronically controlled variable nozzle turbocharger with air-to-air intercooler.
Fuel injection: Direct injection high pressure common rail system.
Emission control system: Cooled EGR with exhaust Diesel Oxidation Catalyst (DOC). ADR 80/03 (Euro V) compliant.

CLUTCH (MANUAL TRANSMISSION MODEL)

- Air assisted hydraulic control. Single plate 381 mm diameter.
- Total lining area: 1,363 cm²

TRANSMISSION

ISUZU MZV-6P (except auto model)

- 6 speed manual with air assisted shift.
 - Synchromesh on gears 2-6. Triple cone synchromesh on 2nd and 3rd gears. Integral oil pump provides full pressure lubrication.
 - PTO provision on LHS of transmission case. PTO drive from mainshaft gear.
 - Gear ratios (:1)
- | 1st | 2nd | 3rd | 4th | 5th | 6th | Rev |
|-------|-------|-------|-------|-------|-------|-------|
| 6.615 | 4.095 | 2.358 | 1.531 | 1.000 | 0.722 | 6.615 |

ALLISON LCT2500 (auto model)

- 6 speed automatic. 5th generation electronic controls with adaptive shift.
 - Allison long life TranSynd synthetic fluid.
 - LHS and RHS PTO openings on transmission case. Torque convertor turbine driven PTO drive gear.
 - Gear ratios (:1)
- | 1st | 2nd | 3rd | 4th | 5th | 6th | Rev |
|------|------|------|------|------|------|------|
| 3.51 | 1.90 | 1.44 | 1.00 | 0.74 | 0.64 | 5.09 |

AXLES

Front: Isuzu F041

- Reverse Elliot I-beam. 4,100 kg capacity.

Rear: Isuzu R077

- Full floating Banjo type. 7,700 kg capacity.
- Drive ratio: 4.555:1 (manual model), 4.875:1 (auto model).

SUSPENSION

Front:

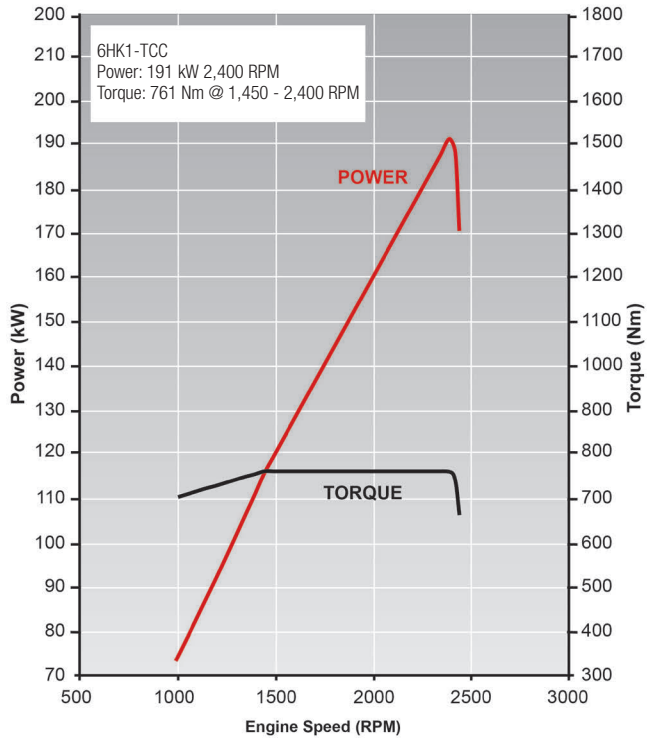
- Single stage alloy steel taper leaf springs.
- Double acting hydraulic shock absorbers. Stabiliser bar.

Rear: (FRR 110-260):

- Multi leaf main spring, multi leaf helper spring.

REAR (FRD 110-260):

- Hendrickson HAS200 airbag. 9,000kg capacity at ground.
- Outboard mounted double acting shock absorbers.



BRAKES

- Dual circuit air over hydraulic front and rear drum brakes.
- ABS.
- ASR traction control - except auto and crew models.
- Hill Start Aid (HSA) - except auto model.
- Front drum size: 320 x 120 mm
- Rear drum size: 320 x 145 mm
- Spring park brake.
- Air controlled exhaust brake.
- Air dryer.

STEERING

- Power assisted recirculating ball steering.
- Gear ratio: 16:1 - 18.8:1
- Turns lock to lock: 4.1
- Maximum angle: 52° (inside wheel) / 39° (outside wheel)

WHEELS AND TYRES

- 17.5 x 6.75 six stud steel wheels (except AW model).
- 17.5 x 6.75 six stud Alcoa aluminium wheels (AW model).
- 235/75R17.5 132/130M Michelin X Multi Z Tubeless.
- Maximum tyre rating:
 - Steer axle: 4,000 kg
 - Drive axle: 7,600 kg
- Spare wheel and tyre assembly with winch type carrier.

CHASSIS FRAME

- Cold rivetted ladder frame with parallel side rails. HT540A high tensile weldable steel sidemembers.
- Frame dimensions:
 - Side rail (mm): 225 x 70 x 6.0
 - Rear frame width (mm): 840

FUEL TANK

- Frame mounted 200L steel fuel tank.
- Lockable fuel cap.

ELECTRICAL SYSTEM

- 24 volt electrical system.
- 90 amp alternator.
- 24 volt, 5.0 kW starter motor.
- 2 x 115E41L (651 CCA) batteries connected in series.
- Underdash CAN interface unit and connector. SAE J1939 protocol. Facilitates connection to a Fleet Management System (FMS) (not supplied).

CABIN SPECIFICATIONS AND APPOINTMENTS

CAB EXTERIOR

- All steel construction. High tensile steel used for cab underframe.
Single cab: Manual cab tilt to 45° with torsion bar assistance.
Crew cab: Electro-hydraulic cab tilt.
- Complies with ECE-R29 cab strength standard.
- **Single cab:** Liquid filled front and rear cab mounts.
Crew cab: Rubber cab mounts.
- Heavy duty non slip entry steps.
- 90° opening internally reinforced front doors.
- Water spray suppression guards and front mudflaps.
- Laminated windscreen with shade band.
- Two speed windscreen wipers, with intermittent wipe mode.
- Halogen multi-reflector headlamps incorporating turn signals. Additional door mounted integrated side indicator/cornering lamps.
- Combination brake, turn, reverse and marker lamps, registration plate illumination lamps. Extended wiring harness. Reverse alarm.
- Roof-mounted clearance lamps.
- Heated and powered exterior main mirrors with flat glass and additional powered convex "spot" mirrors.
- Chrome grille.
- Body coloured steel air dam bumper with front foglamps.

CAB INTERIOR

- Isri 6860 air suspension driver's seat with pneumatic lumbar support, height, rake and automatic weight adjustment.
- Front passenger adjustable bucket seat and front centre seat with folding seat back.
- **Crew cab:** Rear bench seat with 4 seat capacity.
- 3-point lap sash seatbelts in all outboard seating positions. Driver seatbelt with pretensioner integrated with driver seat. Outboard front passenger seatbelt fitted with pretensioner. Centre seat lap belts.
- **Single cab:** ADR42 compliant sleeper.
- Driver and outboard front passenger airbag.
- Door and roof pillar entry assist grips. **Crew cab:** Full width rear grab rail with ashtray.
- Full interior trim, padded roof lining and vinyl floor covering. Driver and passenger windscreen header storage shelf.
- Tilt/Telescopic adjustable steering column, soft feel urethane steering wheel.
- Electric windows.
- Central locking with remote keyless entry and immobiliser.
- Twin cup holders. 24V Cigarette lighter. Dashboard hook.
- Front door mounted storage pockets and driver's side ashtray.
- Centre console box with storage tray. Fold down storage tray behind centre seat backrest.
- Fully integrated air conditioning and heater/demister with 4-speed fan and outlets for windscreen, side windows, face and floor.
Single cab: Auto control, **Crew cab:** Manual control.
- Fluorescent type interior lamp with On/Door/Off switch.
- 2 DIN, two speaker radio/CD/DVD Digital Audio Visual Entertainment (DAVE) unit with 6.2" LCD touch screen. DAB+ digital radio and fully integrated Bluetooth with voice recognition. 4GB internal storage for music files. USB/SD card and auxiliary input connection provisions.
- DIN sized compartment for storage or for CB radio installation.

ISUZU SATELLITE NAVIGATION

Integrated with radio/CD multimedia unit. Displayed information includes:

- Points of interest and Isuzu truck dealer locations.
- Road safety alerts.
- Speed limits and traffic signals.
- Route selection based on entered information such as vehicle weight and dimensions.

DRIVER CONTROLS

- Key-operated engine start/stop and steering lock. Engine idle speed control.
- HSA slow/fast engagement control and on/off switch - except auto model.
- ASR on/off - except auto and crew models.
- T-bar gear selection control (auto model).
- **Left side combination stalk:** Windscreen wipers, washers and exhaust brake.
- **Right side combination stalk:** Turn signals, headlamps and cruise control.

INSTRUMENTATION

- Electronically driven speedometer and tachometer. Digital odometer with integrated dual tripmeter. Engine coolant temperature, fuel level and air pressure gauges.
- **Warning lamps:** Check engine, oil pressure, ABS, SRS airbag, alternator charge, service brakes, park brake, seatbelt unfastened, low air pressure, low fuel level, cab lock.
- **Indicator lamps:** HSA (except auto model), warm up system, high beam, ASR (except auto and crew models), exhaust brake, turn signals, cruise control.
- Multi information display. Shows service interval, vehicle systems status, instantaneous and average fuel consumption, hourmeter, voltmeter, time/day/date and includes 40-120km/h adjustable vehicle speed warning

OPTIONS AND GENUINE ACCESSORIES

Include the following (extra cost, request a brochure and further details from your Isuzu dealer):

Digital Audio Visual Entertainment unit:

- Telematics system.
- Supports up to four camera inputs, one camera and rear microphone input active when reversing. Reversing sensors.
- Tyre pressure monitoring system.
- Cables for full iPod / iPhone / iPad compatibility and connection to other external audio visual devices.

Other:

- Airbag compatible bullbar.
- Air deflector.

ISUZU CARE

Isuzu Care gives truck owners access to products and services including Roadside Assist, Service Agreements, Extended Care, Extended Isuzu Assist and the Isuzu Care Centre. Call 1800 035 640.

WEIGHTS (kg)

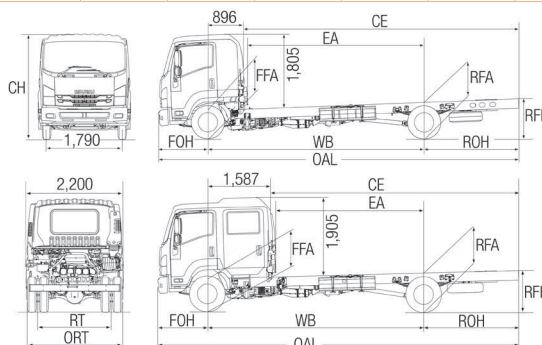
Models	Ratings*		Loading Limit* (at ground)		Cab Chassis Mass #		
	GVM	GCM	Front	Rear	Front	Rear	Total
FRR 110-260 MWB	11,000***	16,000**	4,000	7,600	2,270	1,220	3,490
FRR 110-260 AUTO MWB	11,000***	16,000**	4,000	7,600	2,290	1,215	3,505
FRR 110-260 LWB	11,000***	16,000**	4,000	7,600	2,315	1,245	3,560
FRR 110-260 AUTO LWB	11,000***	16,000**	4,000	7,600	2,330	1,240	3,570
FRR 110-260 XLWB	11,000***	16,000**	4,000	7,600	2,335	1,245	3,580
FRR 110-260 AUTO XLWB	11,000***	16,000**	4,000	7,600	2,350	1,245	3,595
FRR 110-260 CREW	11,000***	16,000**	4,000	7,600	2,510	1,300	3,810
FRR 110-260 AUTO CREW	11,000***	16,000**	4,000	7,600	2,530	1,300	3,830
FRD 110-260 MWB	11,000***	16,000**	4,000	7,600	2,250	1,320	3,570
FRD 110-260 LWB	11,000***	16,000**	4,000	7,600	2,300	1,330	3,630
FRD 110-260 LWB (AW)	11,000***	16,000**	4,000	7,600	2,285	1,280	3,565
FRD 110-260 AUTO LWB	11,000***	16,000**	4,000	7,600	2,315	1,330	3,645
FRD 110-260 AUTO LWB (AW)	11,000***	16,000**	4,000	7,600	2,300	1,280	3,580

* Vehicle ratings and front/rear weight limits are subject to government regulatory requirements and weight distribution analysis. Consult your Isuzu dealer to select the correct vehicle for your specific application.

** 11,000kg / 20,000kg GVM / GCM rating available subject to application approval. Auto models only: Pre-approved ratings as stated apply for general transport and distribution applications. For other applications approval from Allison is required. For example, GVM and GCM limits of 12,000kg apply for refuse application. *** Optional 8,000kg GVM rating available. # Cab chassis only as supplied and including 10 litres of fuel.

DIMENSIONS (mm)

Models	WB	OAL	FOH	ROH	EA	CE	RT	ORT	CH	FFA (unladen)	RFA (unladen)	RFH (unladen)	Turn Circle (m)
													KERB TO KERB
FRR 110-260 MWB	4,360	7,255	1,170	1,725	3,375	5,190	1,600	2,170	2,585	715	895	960	13.9
FRR 110-260 LWB	5,160	8,605	1,170	2,275	4,175	6,540	1,600	2,170	2,585	715	895	950	16.4
FRR 110-260 XLWB	5,560	9,155	1,170	2,425	4,575	7,090	1,600	2,170	2,585	715	895	960	17.7
FRR 110-260 CREW	5,160	8,605	1,170	2,275	3,450	5,848	1,600	2,170	2,650	715	895	950	16.4
FRD 110-260 MWB	4,360	7,465	1,170	1,935	3,375	5,400	1,600	2,170	2,585	720	820	860	13.9
FRD 110-260 LWB	5,160	8,605	1,170	2,275	4,175	6,540	1,600	2,170	2,585	720	820	860	16.4



PERFORMANCE (calculated - typical paved road)

		Geared Speed* (top gear at peak power engine RPM)	Low Speed Gradeability (lowest forward gear assuming no wheel slip)	Engine Speed (top gear at 100km/h)
FRR/FRD 110-260	At 11,000 kg GVM	107 km/h @ 2,400 RPM	49%	2,255 RPM
FRR/FRD 110-260 AUTO	At 11,000 kg GVM	112 km/h @ 2,400 RPM	44%	2,135 RPM

*Maximum speed achievable depends on vehicle frontal area as well as other factors. Consult your Isuzu dealer for more detailed information.

ISUZU WARRANTIES

STANDARD ¹	
New Vehicle	3 years • 150,000km • 2,500 hours
Cab Perforation Corrosion	3 years • unlimited km
Isuzu Assist: 24 hour roadside assistance (3 years, unlimited km)*	
EXTENDED CARE ²	
Extended Warranty: 5 years • 300,000km • 5,000 hours	
Isuzu Assist: 24 hour roadside assistance (5 years, unlimited km)	

ORDER CODES

Model	Code	Model	Code
FRR 110-260 MWB	FH-FRRCG-B16	FRR 110-260 AUTO CREW	FH-FRRGG-N16
FRR 110-260 AUTO MWB	FH-FRRCG-L16	FRD 110-260 MWB	FH-FRDCG-B16
FRR 110-260 LWB	FH-FRRCG-D16	FRD 110-260 LWB	FH-FRDCG-D16
FRR 110-260 AUTO LWB	FH-FRRCG-N16	FRD 110-260 LWB (AW)	FH-FRDCF-D26
FRR 110-260 XLWB	FH-FRRCG-E16	FRD 110-260 AUTO LWB	FH-FRDCG-N26
FRR 110-260 AUTO XLWB	FH-FRRCG-P16	FRD 110-260 AUTO LWB (AW)	FH-FRDCG-N26
FRR 110-260 CREW	FH-FRRGG-D16		

¹ Subject to the conditions outlined in the IAL New Vehicle Warranty, the Isuzu FRR and FRD models carry a standard factory warranty which covers the owner: (i) for the entire vehicle, for the first 36 months or 150,000 km or 2,500 hrs (whichever comes first). (ii) against cab perforation corrosion, for 36 months and unlimited kilometres. ² Extended Warranty as illustrated may be purchased to cover the owner against the failure of original components, but may exclude some components and expendable items such as oil, filters, etc. *Valid for three years from the date of new vehicle purchases. All Isuzu warranties are subject to mandatory prescribed terms under Australian Consumer law including customer guarantees. For more details visit the Isuzu website which explains Isuzu warranties in more detail, or alternatively contact your local dealer. All warranties commence from date of delivery.

ISUZU AUSTRALIA LIMITED ABN 97 006 962 572 ("IAL"). The information in this spec sheet was correct at time of printing, but all measurements, specifications and equipment are subject to change without notice. Some equipment may have been changed and/or is available at extra cost. IAL may make changes at any time without notice, in prices, colours, materials, equipment and models. IAL makes all reasonable attempts to ensure the availability of all vehicles and equipment. The information in this spec sheet is general in nature. Your Isuzu dealer can confirm all measurements, specifications and vehicle / equipment availability upon request. To the extent permitted by the law, IAL is not liable to any person as result of reliance on the content of this spec sheet.

We
share
the
load.

ISUZU
RELIABILITY IS EVERYTHING